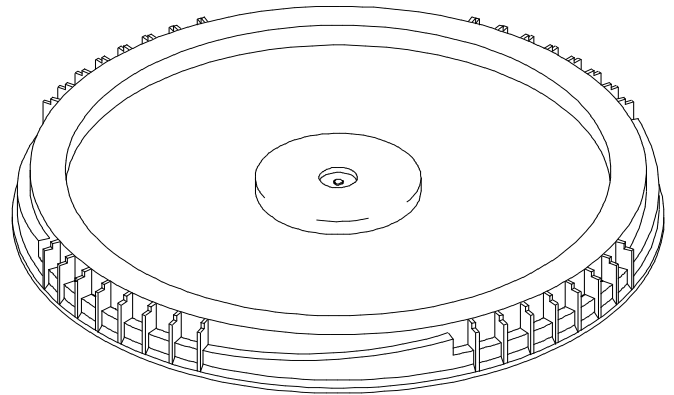




Prepared For: Standard Technical Specification 12/12/13
Revised: 3/14/17

General Specifications for cover:

Material: High Density Polyethylene (HDPE)
Method of Mfg: Injection Molding
Weight: .22 lbs/102g
Cover Height: 1.17"
Min. Wall Thickness: .055" (55 mil)
Bottom OD: 8.41"
Case Qty: 96 per case /1152 per pallet
Standard Color: White, Red 186, Blue 300
 Please inquire about custom colors



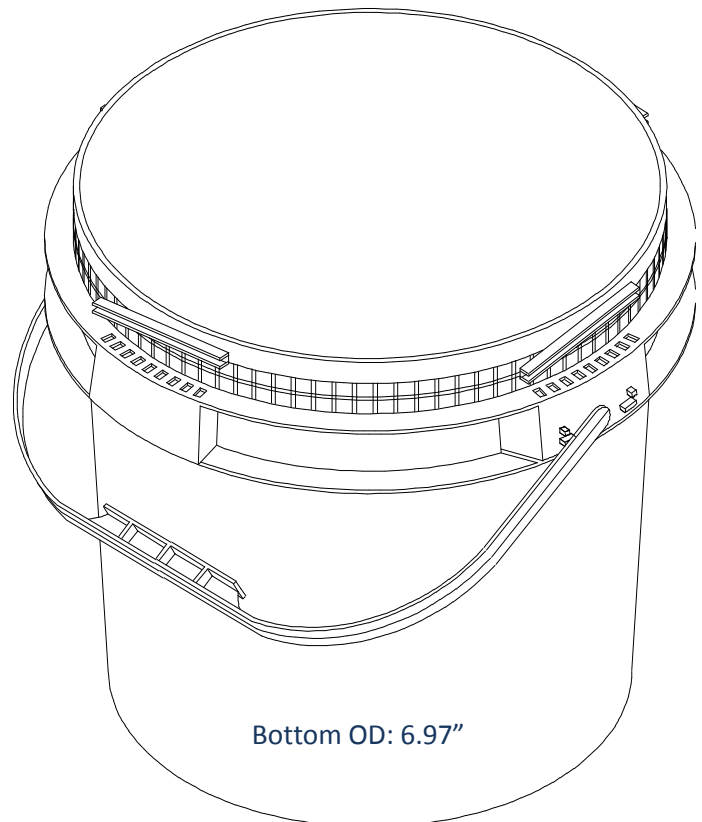
Top ID: 7.50 "

General Specifications for Pail:

Material: High Density Polyethylene (HDPE)
Method of Mfg: Injection Molding
Nominal Capacity: 1.0 Gallons
Weight: .56 lbs/257g
Min. Wall Thickness: .065" (65 mil)
Exterior Height: 7.38"
Top Inside Dia: 7.50"
Bottom Outside Dia: 6.97"
Pallet: 360 units
Truckload: 15,120
Handle: Plastic Handle
Printing Area: 3.75" x 21.875"
Nesting: Tapered walls for nesting
Standard Color: White
 Please inquire about custom colors
UN Certification: 1H2/Y6/S

Height
7.38"

Height
w/cover
7.35"



Bottom OD: 6.97"