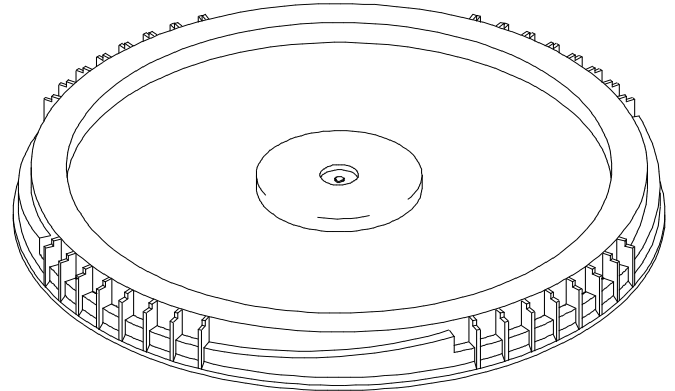




Prepared For: Standard Technical Specification 12/12/13
Revised 3/14/17

General Specifications for cover:

Material: High Density Polyethylene (HDPE)
Method of Mfg: Injection Molding
Weight: .55lbs/250g
Cover Height: 1.53"
Min. Wall Thickness: .080" (80 mil)
Bottom OD: 11.66"
Case Qty: 40 per case / 480 per pallet
Standard Color: White, Red 186, Blue 300
Please inquire about custom colors



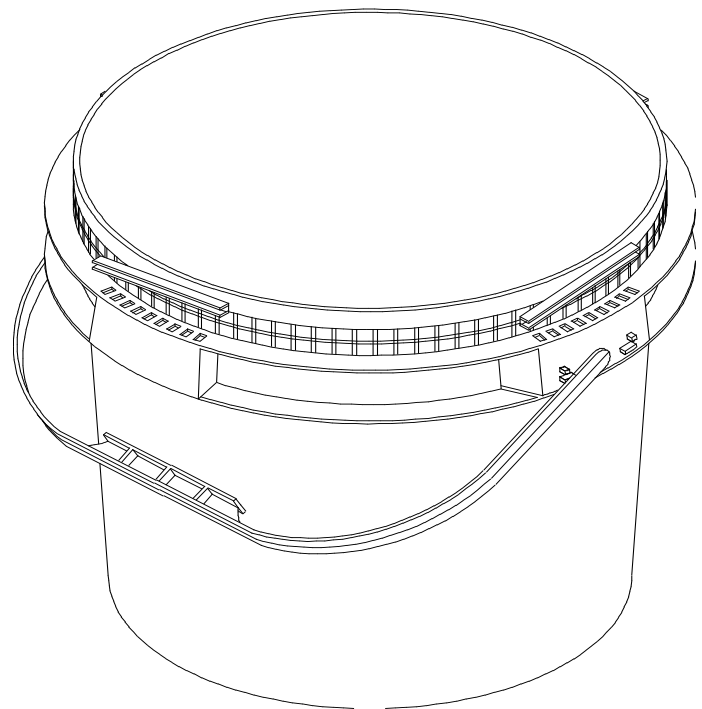
Top ID: 10.48 "

General Specifications for Pail:

Material: High Density Polyethylene (HDPE)
Method of Mfg: Injection Molding
Nominal Capacity: 2.0 Gallons
Weight: 1.05lbs/480g
Min. Wall Thickness: .070" (70 mil)
Exterior Height: 7.98"
Top Inside Dia: 10.48"
Bottom Outside Dia: 9.40"
Pallet: 216 units
Truckload: 8,208
Handle: Plastic Handle
Printing Area: 4.25" X 30.25"
Nesting: Tapered walls for nesting
Standard Color: White
Please inquire about custom colors
UN Certification: 1H2/Y12/S

Height
7.98"

Height
w/cover
8.06"



Bottom OD: 9.40"