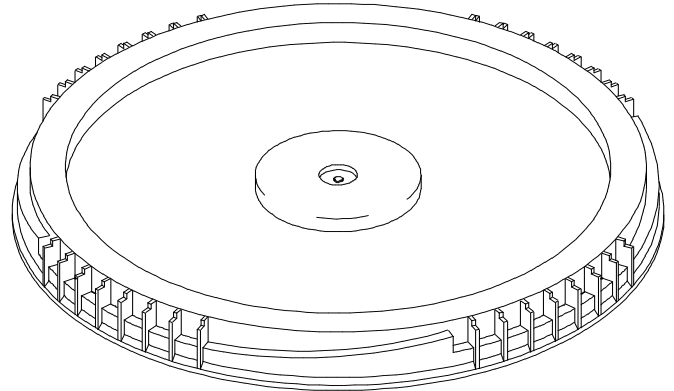




Prepared For: Standard Technical Specification 02/19/14  
Revised:3/14/17

### General Specifications for cover:

Material:	High Density Polyethylene (HDPE)
Method of Mfg:	Injection Molding
Weight:	.55lbs/250g
Cover Height:	1.53"
Min. Wall Thickness:	.080" (80 mil)
Bottom OD:	11.66"
Case Qty:	40 per case / 480 per pallet
Standard Color:	White, Red 186, Blue 300 Please inquire about custom colors



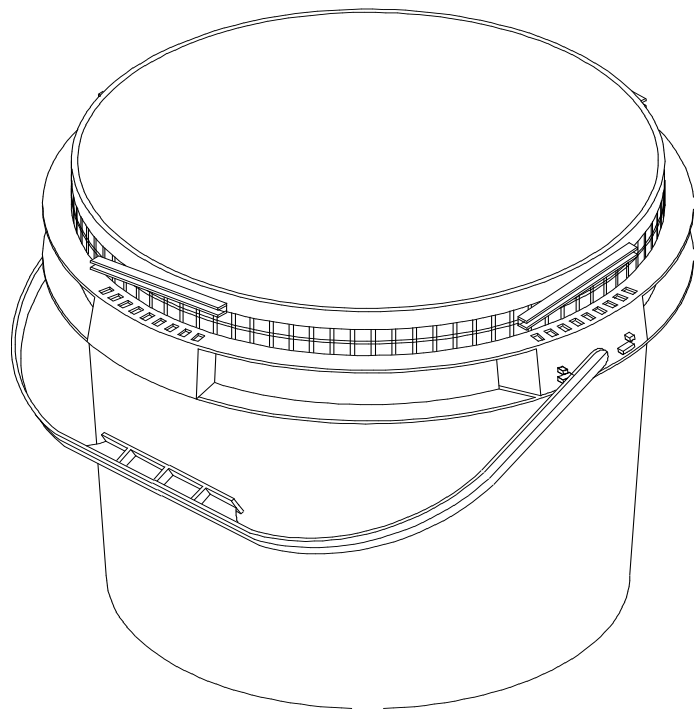
Top ID: 10.48 "

### General Specifications for Pail:

Material:	High Density Polyethylene (HDPE)
Method of Mfg:	Injection Molding
Nominal Capacity:	2.5 Gallons
Weight:	1.26lbs/572g
Min. Wall Thickness:	.070" (70 mil)
Exterior Height:	9.51"
Top Inside Dia:	10.48"
Bottom Outside Dia:	9.33"
Pallet:	216 units
Truckload:	8,208
Handle:	Plastic Handle
Printing Area:	5.25" X 30.25"
Nesting:	Tapered walls for nesting
Standard Color:	White Please inquire about custom colors
UN Certification:	1H2/Y19/S

Height  
9.51"

Height  
w/cover  
9.60"



Bottom OD: 9.33"