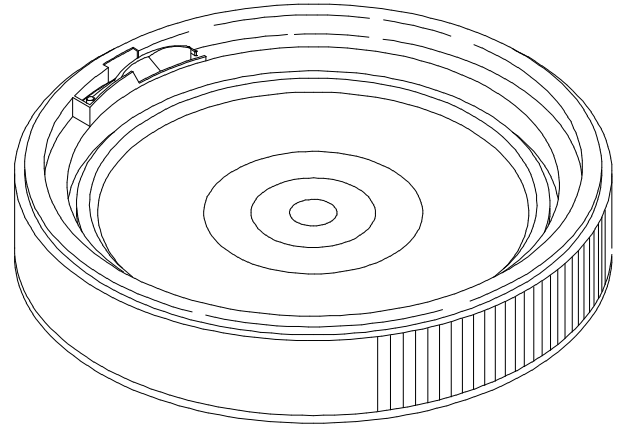




Prepared For: Standard Technical Specification
09/06/11 Revised: 3/14/17

General Specifications for cover:

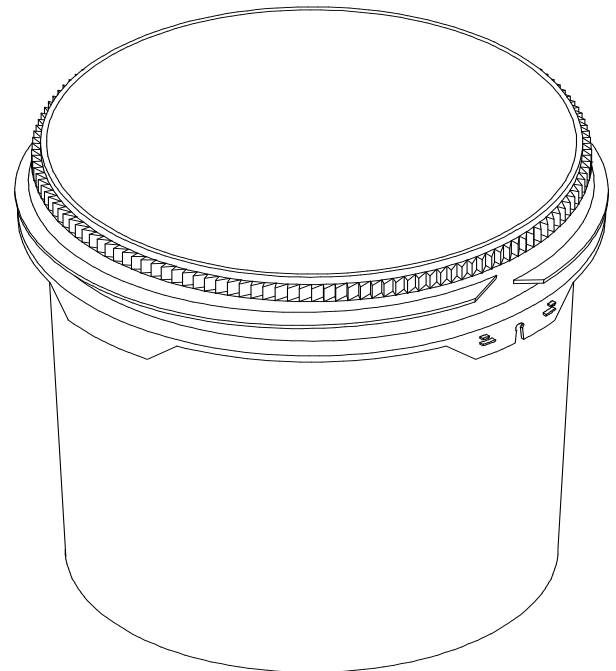
Material:	High Density Polyethylene (HDPE)
Method of Mfg:	Injection Molding
Weight:	.76lbs/345g
Cover Height:	2.41"
Min. Wall Thickness:	.075" (75 mil)
Bottom OD:	11.72"
Gasket:	Neoprene
Qty:	240 per pallet
Standard Color:	White, Red186, Blue300 Please inquire about custom colors



General Specifications for Pail:

Material:	High Density Polyethylene (HDPE)
Method of Mfg:	Injection Molding
Nominal Capacity:	2.5 Gallons
Weight:	1.44lbs/654g
Min. Wall Thickness:	.075" (75 mil)
Exterior Height:	9.80"
Top ID:	10.08"
Bottom OD:	9.40"
Shipping: Case:	8 pails and lids per case
Pallet:	168 units
Truckload:	5,208 units
Handle:	Plastic Handle
Printing Area:	5" x 29.75"
Nesting:	Tapered walls for nesting
Standard Color:	White Please inquire about custom colors
UN Certification:	1H2/Y19/S

Top ID: 10.08 "



Height
9.80"

Height
w/cover
10.15"

Bottom OD: 9.40"

Manufacturing Plants: Chattanooga, TN (800) 331-5305 / Phoenix, AZ 602) 233-8758