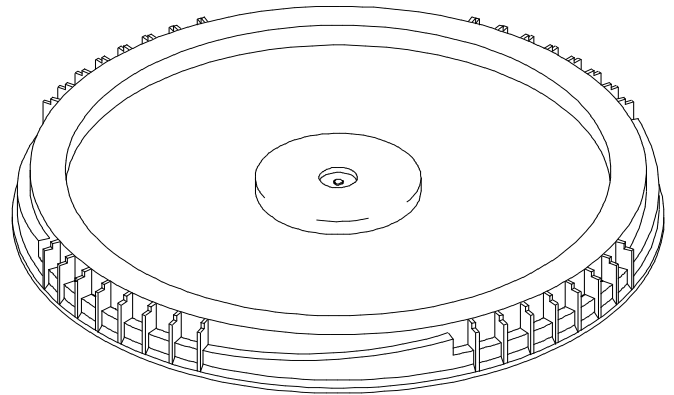




Prepared For: Standard Technical Specification 02/19/14  
Revised 03/17/14

### General Specifications for cover:

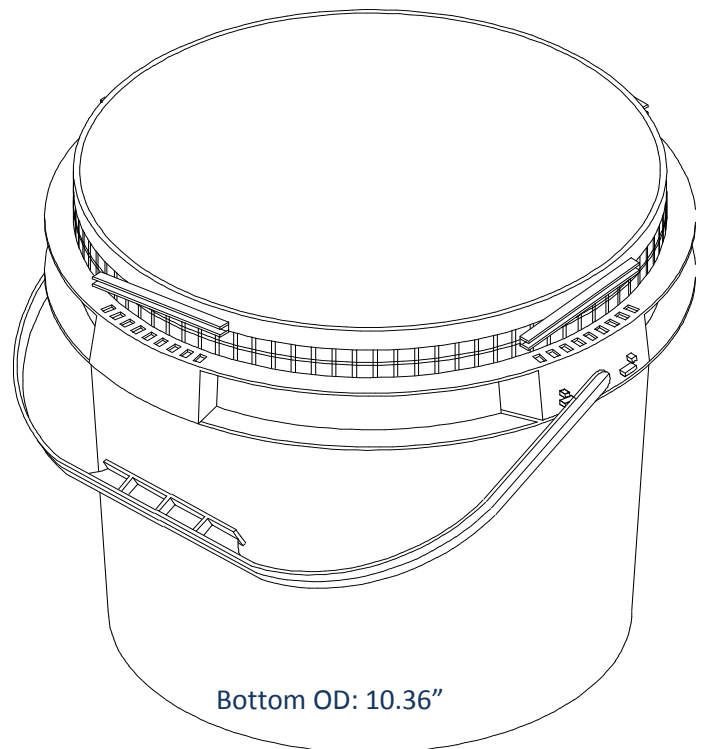
Material:	High Density Polyethylene (HDPE)
Method of Mfg:	Injection Molding
Weight:	.87lbs/397g
Cover Height:	1.25"
Min. Wall Thickness:	.080" (80 mil)
Bottom OD:	12.603"
Gasket:	Neoprene (Available as Non-UN only)
Bulk Tray:	480 per pallet
Standard Color:	White, Red 186, Blue 300 Please inquire about custom colors



Top ID: 11.45 "

### General Specifications for Pail:

Material:	High Density Polyethylene (HDPE)	
Method of Mfg:	Injection Molding	
Nominal Capacity:	3.0 Gallons	
Weight:	1.49lbs/659g	
Min. Wall Thickness:	.090" (90 mil)	
Exterior Height:	8.88"	Height 8.88"
Top Inside Dia:	11.45"	
Bottom Outside Dia:	10.36"	
Pallet:	204 units	Height w/cover 9.00"
Truckload:	7,752	
Handle:	Plastic Handle	
Printing Dimensions:	5.25" x 33"	
Heat Transfer Dim:	4.625" x 31.750"	
Nesting:	Tapered walls for nesting	
Standard Color:	White Please inquire about custom colors	
UN Certification:	1H2/Y19/S	



Bottom OD: 10.36"