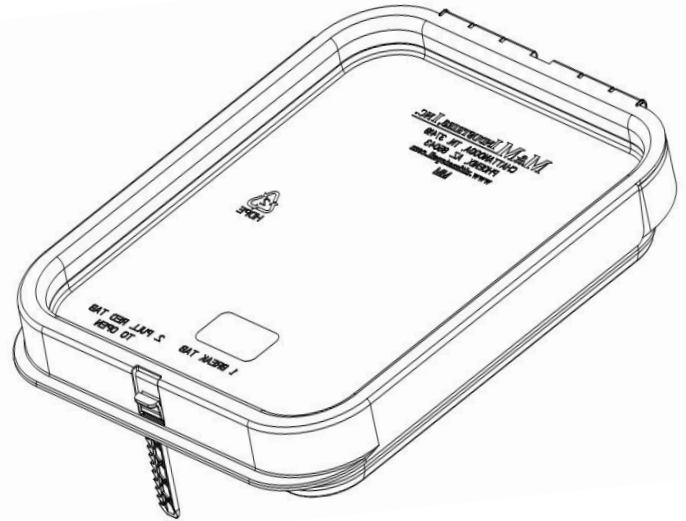


Prepared For: Standard Technical Specification 12/23/13  
Revised: 9/19/14

### General Specifications for cover:

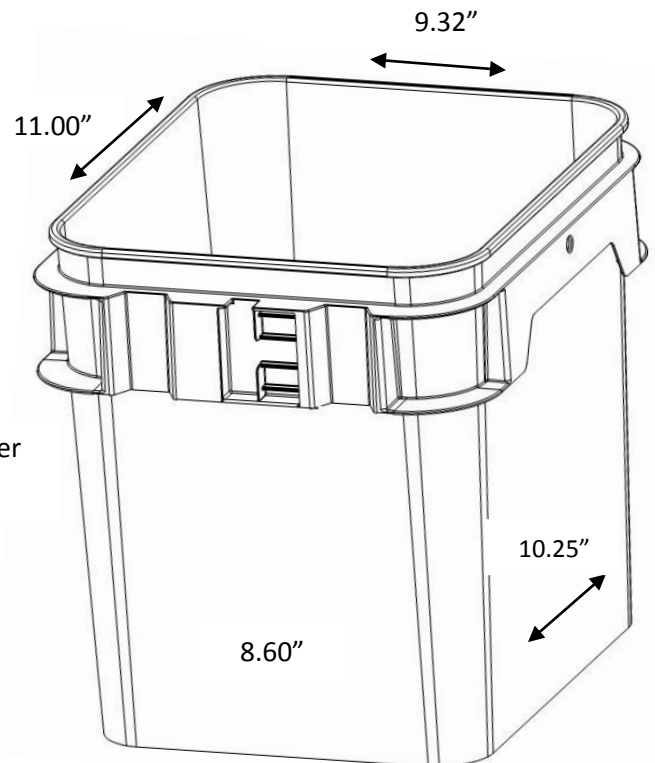
**Material:** High Density Polyethylene (HDPE)  
**Method of Mfg:** Injection Molding  
**Weight:** .92lbs  
**Cover Height:** 1.86"  
**Min. Wall Thickness:** .070" (70 mil)  
**Gasket:** Contact Customer Service  
**Qty:** 640 pallet  
**Standard Color:** White  
Please inquire about custom colors



### General Specifications for Pail:

**Material:** High Density Polyethylene (HDPE)  
**Method of Mfg:** Injection Molding  
**Nominal Capacity:** 4 Gallons  
**Weight:** 1.75 lbs  
**Min. Wall Thickness:** .080" (80 mil)  
**Exterior Height:** 10.93"  
**Top Inside:** 9.32" / 11.00"  
**Bottom Outside:** 8.60" / 10.25"  
**Pallet:** 160 units  
**Truckload:** 7,040 units  
**Handle:** Plastic Handle  
**Printing Dimensions:** Contact Customer Service  
**Standard Color:** White  
Please inquire about custom colors

Height W/Cover  
11.17"



**Manufacturing Plant:** Chattanooga, TN (800) 331-5305