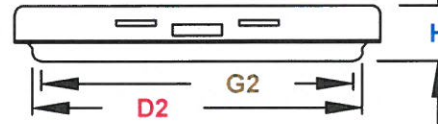
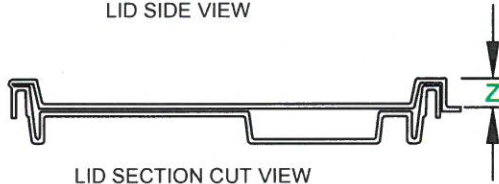


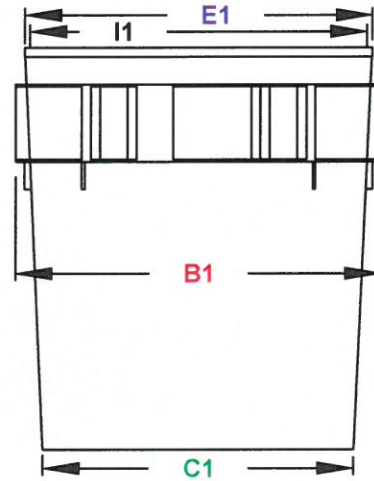
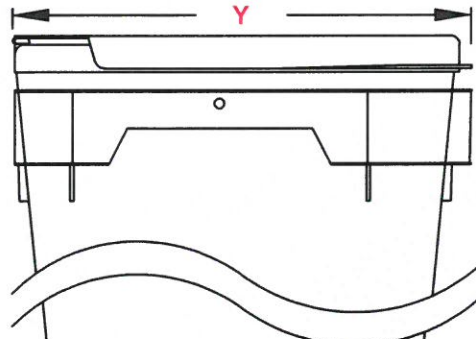
LID SIDE VIEW



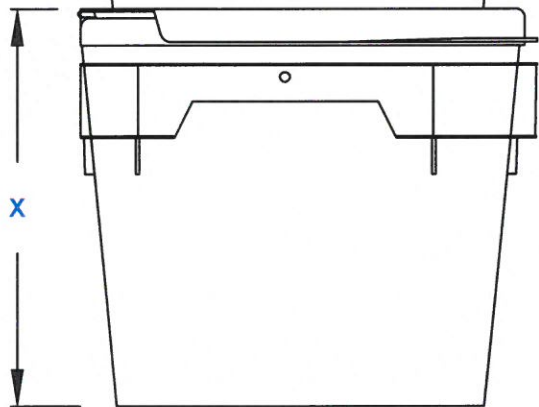
LID FRONT VIEW



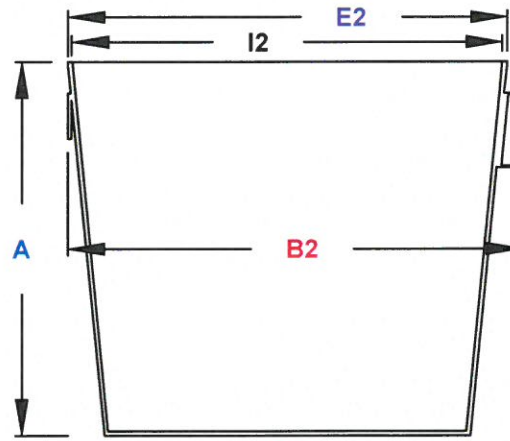
LID SECTION CUT VIEW



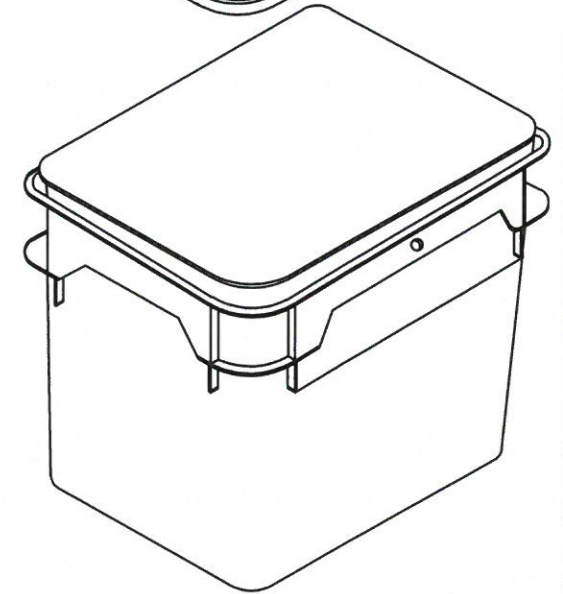
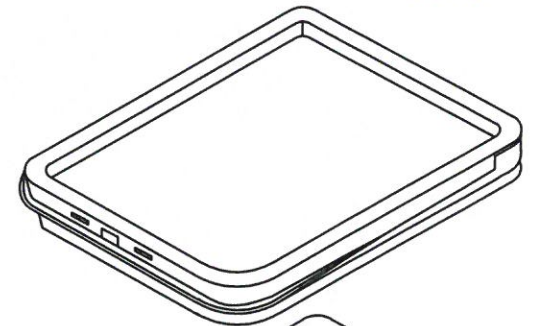
PAIL FRONT VIEW



ASSEMBLY VIEW



PAIL SECTION CUT VIEW



PERSPECTIVE VIEW

**M&M INDUSTRIES, INC.**

316 Corporate Place  
Chattanooga, TN 37419

**Square Pail**

DRAWING NOT TO SCALE

Style: Life Latch® Square

Letter	Pail						Lid				Assembled pail with lid			
	(A)	(B)	(C)	(I)	E		(H)	(D)	(G)		(X)	(Y)	(Z)	(US gallons)
Dimension (inches-reference only)	Overall Height	Maximum Outside width of pail no handle	Bottom Outside diameter	Pail ID at top	Pail OD at top	Minimum wall thickness	Overall Height	Outside diameter at Base	Inside diameter at base	Minimum wall thickness	Overall Height	Maximum diameter for palletizing no handle	Nesting depth for palletizing	Maximum fill capacity assembled
4.0 gallon	10.82	B1/10.08	C1/8.50	I1/9.20	E1/9.65	0.080	1.60	D1/9.88	G1/9.08	0.070	11.02	12.35	0.55	3.40
		B2/12.00	C2/10.20	I2/10.86	E2/11.31			D2/12.00	G2/10.89					
5.0 gallon	14.44	B1/10.26	C1/8.76	I1/9.18	E1/9.637	0.100	1.60	D1/9.88	G1/9.08	0.070	14.69	12.39	0.55	5.03
		B2/12.36	C2/10.50	I2/11.01	E2/11.51			D2/12.00	G2/10.89					
6.5 gallon	20.01	B1/10.628	C1/8.48	I1/9.12	E1/9.528	0.100	1.60	D1/9.88	G1/9.08	0.070	20.20	12.34	0.55	7.40
		B2/12.33	C2/10.17	I2/10.97	E2/11.483			D2/12.00	G2/10.89					