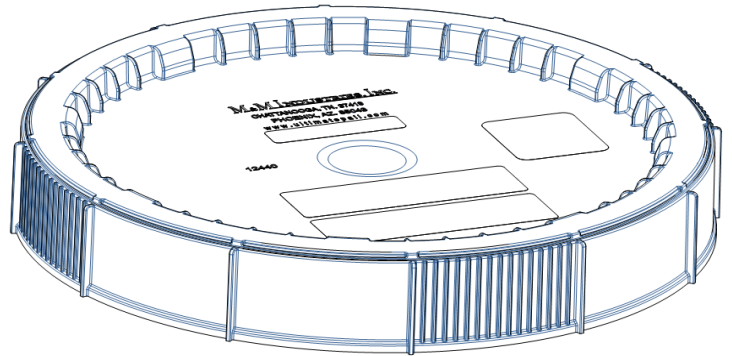


Prepared For: Standard Technical Specification 12/23/13
Revised: 3/20/17

General Specifications for cover:

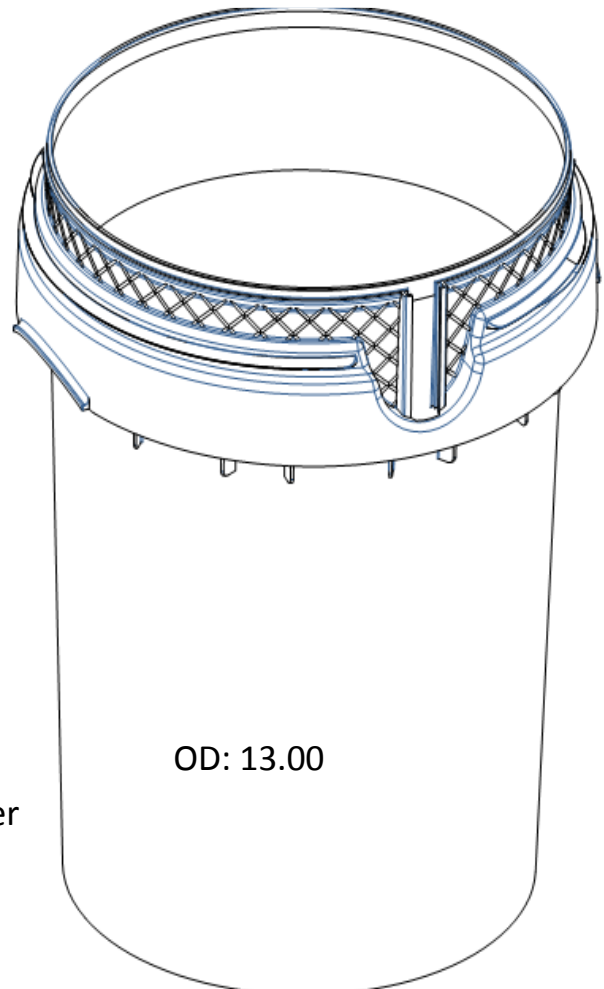
Material:	High Density Polyethylene (HDPE)
Method of Mfg:	Injection Molding
Weight:	1.85lbs/840g
Cover Height:	2.51"
Min. Wall Thickness:	.100" (100 mil)
Gasket:	Neoprene
Bottom OD:	16.31"
Qty:	180 per pallet
Standard Color:	White
	Please inquire about custom colors
Options:	Buna Vent



TOP ID: 14.04

General Specifications for Pail:

Material:	High Density Polyethylene (HDPE)
Method of Mfg:	Injection Molding
Nominal Capacity:	12 Gallons
Weight:	5.83lbs/2646g
Min. Wall Thickness:	.140" (140 mil)
Exterior Height:	21.38"
Top ID:	14.04"
Bottom OD:	13.00"
Pallet:	54 units
Truckload:	2,160 units
Handle:	Plastic Handle
Printing Dimensions:	12" x 41.25"
Nesting:	Tapered walls for nesting
Standard Color:	White
	Please inquire about custom colors
UN Certification:	1H2/Y53/S with no gasket cover 1H2/Y40/S with gasket cover



OD: 13.00

Height W/Cover

21.50