



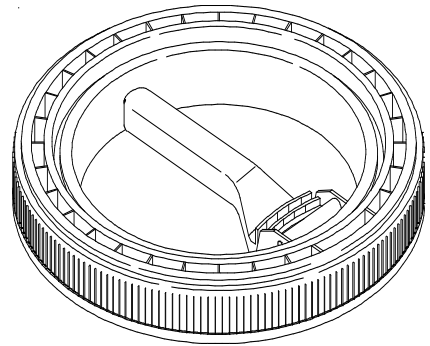
# 5.0 Gallon Screwtop Pail For Liquids and Solids



Prepared For: Standard Technical Specification 09/06/11  
Revised: 6/14/17

### General Specifications for cover:

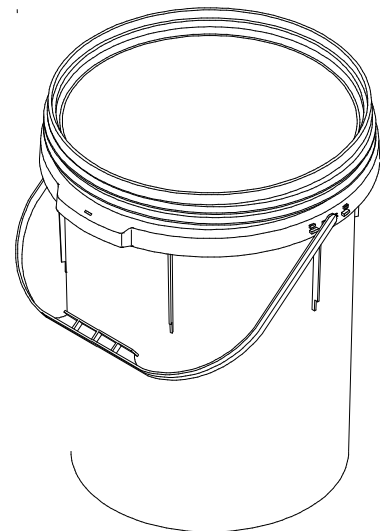
**Material:** High Density Polyethylene (HDPE)  
**Method of Mfg:** Injection Molding  
**Weight:** 1.57lbs/614g  
**Cover Height:** 2"  
**Min. Wall Thickness:** .090" (90 mil)  
**Top OD:** 12.47"  
**Bottom OD:** 13.07"  
**Fitting:** Non-Spouted  
 American Flange Plastic 38MM Spout  
**Case Qty:** 26 per case/312 per pallet  
**Standard Color:** White, Red186, Blue300  
 Please inquire about custom colors



### General Specifications for Pail:

**Material:** High Density Polyethylene (HDPE)  
**Method of Mfg:** Injection Molding  
**Nominal Capacity:** 5.0 Gallons  
**Weight:** 2.83lbs/1191g  
**Gasket:** EPDM  
**Min. Wall Thickness:** .090" (90 mil)  
**Exterior Height:** 16.46"  
**Overall Height w/cover:** 16.75"  
**Top ID:** 12.03"  
**Bottom OD:** 10.51 "  
**Shipping: Case:** 3 pails and lids per case  
**Pallet:** 72 units  
**Truckload:** 2,880 units  
**Handle:** Plastic Handle  
**Printing Dimensions:** 9." x 34.25"  
**Nesting:** Tapered walls for nesting  
**Standard Color:** White  
 Please inquire about custom colors  
**UN Certification:** 1H2/Y30/S  
 1H2/Y1.5/30

Top ID: 12.03



Height  
16.46"

Height  
w/cover  
16.75"

Bottom OD: 10.51"

Manufacturing Plants: Chattanooga, TN (800) 331-5305 / Phoenix, AZ (602) 233-8758