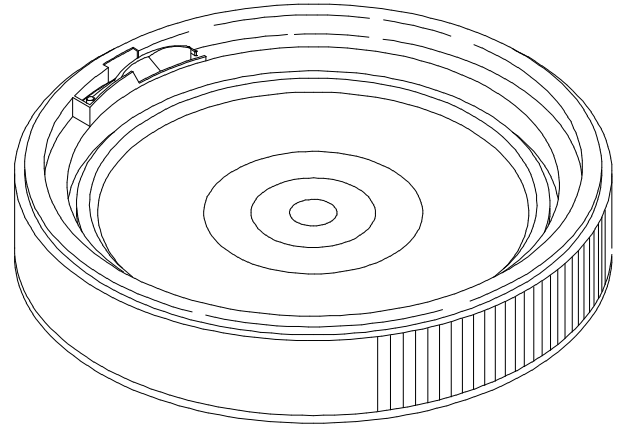




Prepared For: Standard Technical Specification  
2/25/15 Revised:3/14/17

### General Specifications for cover:

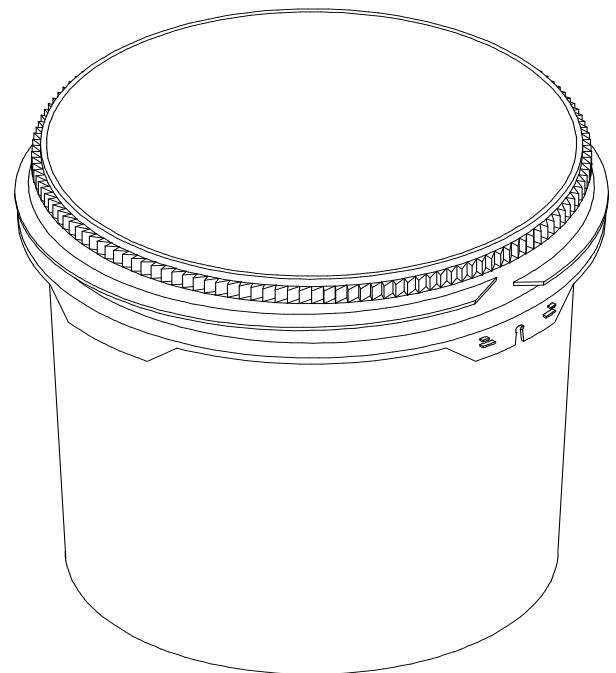
**Material:** High Density Polyethylene (HDPE)  
**Method of Mfg:** Injection Molding  
**Weight:** .76lbs/345g  
**Cover Height:** 2.41"  
**Min. Wall Thickness:** .075" (75 mil)  
**Bottom OD:** 11.72"  
**Qty:** 240 per pallet  
**Standard Color:** White, Red186, Blue300  
Please inquire about custom colors



Top ID: 10.100"

### General Specifications for Pail:

**Material:** High Density Polyethylene (HDPE)  
**Method of Mfg:** Injection Molding  
**Nominal Capacity:** 2.0 Gallons  
**Weight:** 1.27lbs/579g  
**Min. Wall Thickness:** .090" (90 mil)  
**Exterior Height:** 8.13"  
**Top ID:** 10.100"  
**Bottom OD:** 9.36"  
**Shipping: Case:** 8 pails and lids per case  
**Pallet:** 168 units  
**Truckload:** 9,720 units  
**Handle:** Plastic Handle  
**Printing Area:** 4" x 29.75"  
**Nesting:** Tapered walls for nesting  
**Standard Color:** White  
Please inquire about custom colors  
**UN Certification:** 1H2/Y15/S



Height  
8.13"

Height  
w/cover  
8.77"

Bottom OD: 9.36"