
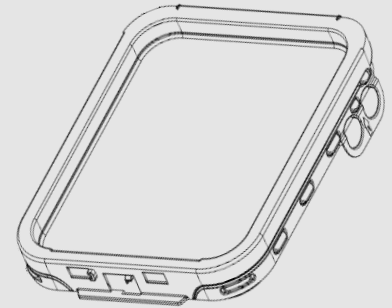


UN Certification: 3H2/Y15/S 

**Cover Specification | Part No. 600646**

Origin of Materials	100% US Manufactured
Material	High Density Polyethylene (HDPE)
Mfg. Method	Injection Molding
Weight	.976 lbs / 443 g
Height	1.86"
Min Wall Thickness	.120"
Standard Color	White <i>Please inquire about custom colors</i>
Quantity	40 Per Case 480 per pallet



**Pail Specification | Part No. 500443**

Origin of Materials	100% US Manufactured
Material	High Density Polyethylene (HDPE) <i>Plastic Handle</i>
Mfg. Method	Injection Molding
Weight	1.75 lbs
Min. Wall Thickness	.080"
Exterior Height	10.93" With Cover 11.17"
Top Inside Diameter	9.32" / 11"
Bottom Outside Diameter	8.6 / 10.25"
Shipping Quantity	160 Units per Pallet 6,560 Units per Truckload
Standard Color	White <i>Please inquire about custom colors</i>
Decoration	In Mold Labeling (IML)
Top Load Rating	300 lbs

