
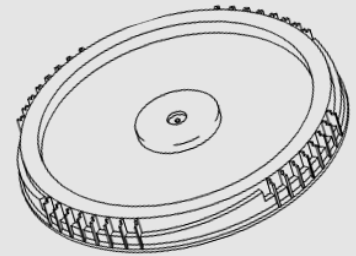


UN Certification: 1H2/Y12/S 

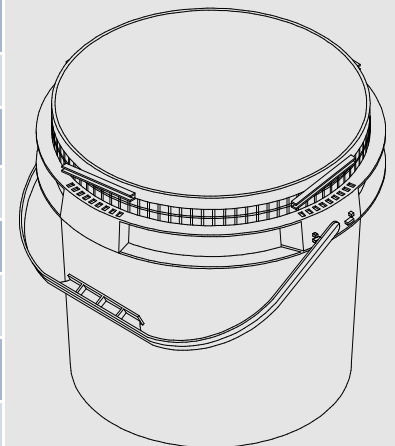
### Cover Specification

Origin of Materials	100% US Manufactured
Material	High Density Polyethylene (HDPE)
Mfg. Method	Injection Molding
Weight	0.55 lbs / 250g
Height	1 1/2"
Min Wall Thickness	0.080"
Top Outside Diameter	11 5/8"
Standard Color	White Please inquire about custom colors
Shipping Quantity	40 per Box 480 per Pallet



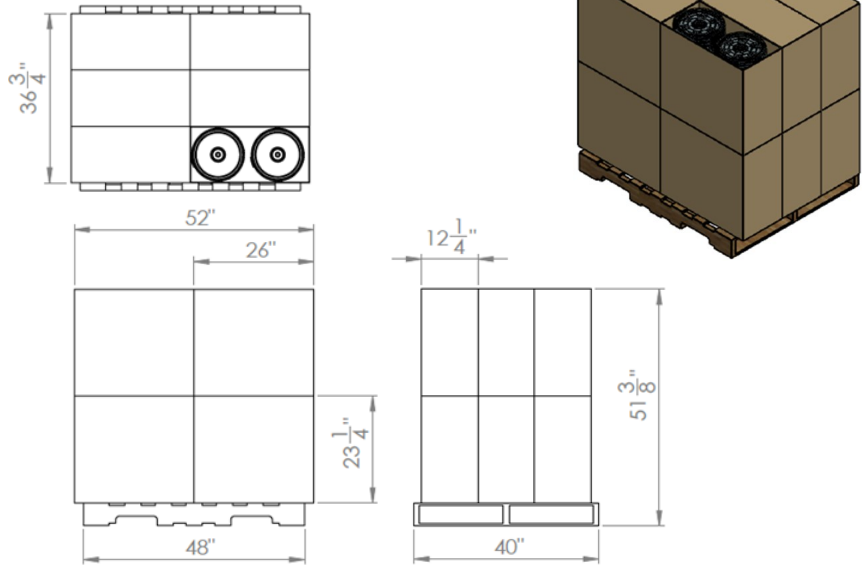
### Pail Specification

Origin of Materials	100% US Manufactured
Material	High Density Polyethylene (HDPE) <i>Plastic Handle</i>
Mfg. Method	Injection Molding
Weight (including handle)	1.12 lbs / 510g
Min. Wall Thickness	0.070"
Exterior Height	8" With Cover 8 1/8"
Top Outside Diameter	10 1/2"
Bottom Outside Diameter	9 3/8"
Shipping Quantity	216 Units per Pallet 8,208 Units per Truckload
Standard Color	White <i>Please inquire about custom colors</i>
Print Area	4 1/4" x 30 1/4"
Top Load Rating	300 lbs.



**Pack Specifications For Cover**

- 480 Units
- 40 per Box
- 6 Boxes per layer x 2 High
- Lid Material is HDPE



**Pack Specifications For Pail**

- 216 Units
- 12 Stacks x 18 High
- 8,208 Units per Truckload
- Pail Material is HDPE

