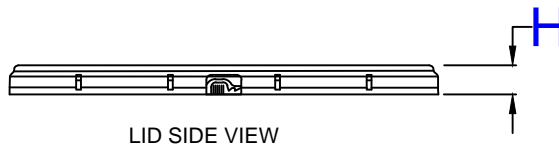


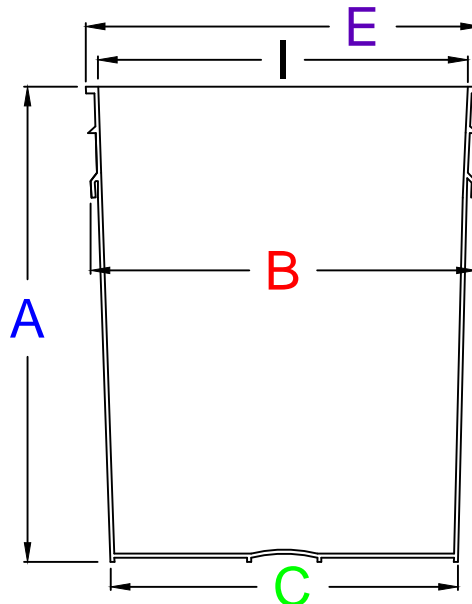
LID TOP VIEW



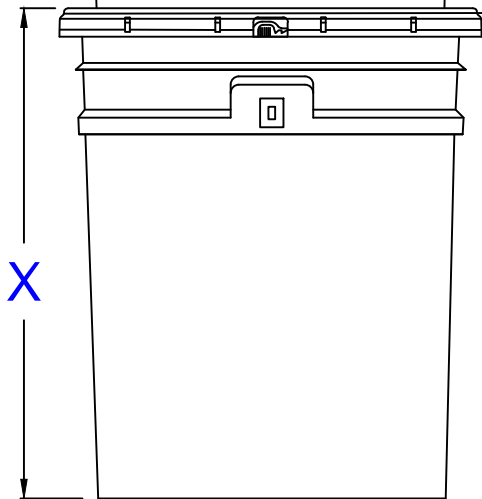
PERSPECTIVE VIEW



LID SIDE VIEW



PAIL SIDE VIEW



ASSEMBLY VIEW

**M&M INDUSTRIES, INC.**

316 Corporate Place  
Chattanooga, TN 37419

**M2 Traditional Pail**

DRAWING NOT TO SCALE

**Style: M2 Traditional Pails**

Dimension (inches- reference only)	Pail						Lid				Assembled pail with lid			
	Overall Height (A)	Maximum Outside width of pail no handle(B)	Bottom Outside diameter (C)	Pail ID at top (I)	Pail OD at top E	Minimum wall thickness	Overall Height (H)	Outside diameter at Base (D)	Inside diameter at base (G)	Minimum wall thickness	Overall Height (X)	Maximum diameter for palletizing no handle (Y)	Nesting depth for palletizing (Z)	Maximum fill capacity assembled (US gallons)
1.0 gallon	7.25	8.25	6.90	7.60	7.96	0.065	0.86	8.36	8.25	0.070	7.42	8.35	0.28	1.19
2.0 gallon	9.53	9.85	8.20	9.20	9.58	0.065	0.86	9.94	9.80	0.070	9.68	9.95	0.29	2.27
3.5 gallon	11.10	12.14	10.40	11.35	11.92	0.090	1.35	12.55	12.30	0.090	11.33	12.55	0.42	3.98
4.25 gallon	12.38	12.05	10.30	11.35	11.92	0.090	1.35	12.55	12.30	0.090	12.62	12.55	0.42	4.45
5.0 gallon	14.42	12.30	10.45	11.35	11.92	0.090	1.35	12.55	12.30	0.090	14.61	12.55	0.42	5.39
5.3 gallon	15.55	12.30	10.40	11.35	11.92	0.090	1.35	12.55	12.30	0.090	15.78	12.55	0.42	5.75
5.5 gallon	16.05	12.30	10.40	11.35	11.92	0.090	1.35	12.55	12.30	0.090	16.30	12.55	0.42	5.91
6.5 gallon	18.55	12.30	10.40	11.35	11.92	0.090	1.35	12.55	12.30	0.090	18.75	12.55	0.42	7.02