
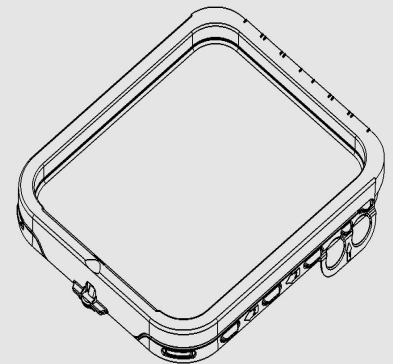


UN Certification: 3H2/Y15/S 

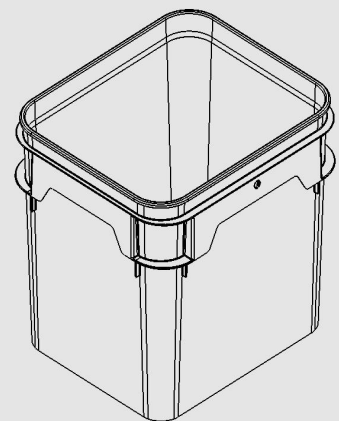
Cover Specification

Origin of Materials	100% US Manufactured
Material	High Density Polyethylene (HDPE)
Mfg. Method	Injection Molding
Weight	1 lbs. / 443 g
Height	1 7/8"
Bottom Outside Diameter	10" x 11 5/8"
Top Outside Diameter	10 1/8" x 11 5/8"
Min Wall Thickness	.120"
Standard Color	White <i>Please inquire about custom colors</i>
Quantity	40 Per Case 480 per pallet



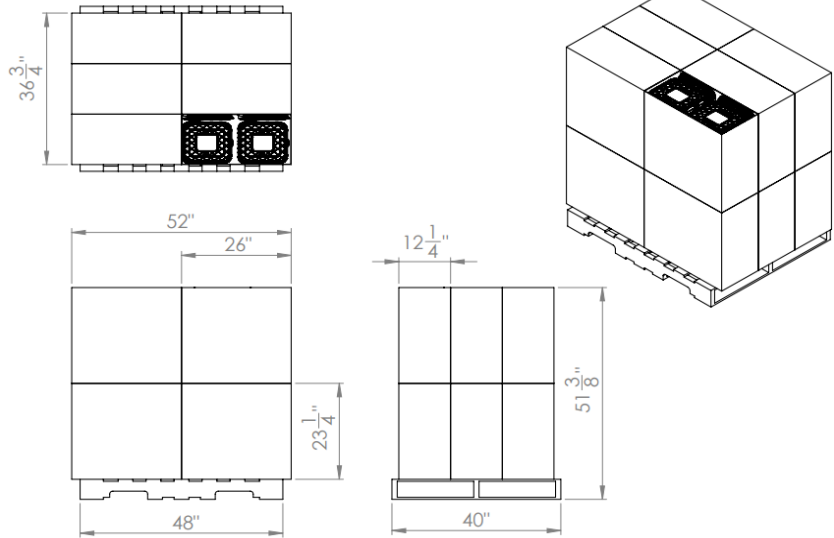
Pail Specification

Origin of Materials	100% US Manufactured
Material	High Density Polyethylene (HDPE) <i>Plastic Handle</i>
Mfg. Method	Injection Molding
Weight	1 3/4lbs
Min. Wall Thickness	.080"
Exterior Height	10" With Cover 10 1/4"
Top Inside Diameter	9 1/4" x 11"
Bottom Outside Diameter	8 5/8 x 10 1/4"
Shipping Quantity	160 Units per Pallet 6560 Units per Truckload
Standard Color	White <i>Please inquire about custom colors</i>
Decoration	In Mold Labeling (IML)
Top Load Rating	300 lbs



Pack Specifications For Cover

- 480 Units
- 2 stacks x 18 high per layer
- 2 additional lids on side per box
- 6 boxes per layer x 2 high
- Lid material is HDPE



Pack Specifications For Pail

- 160 Units
- 16 Stacks x 10 High
- Pail Material is HDPE

