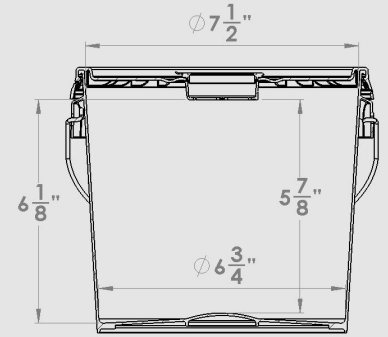


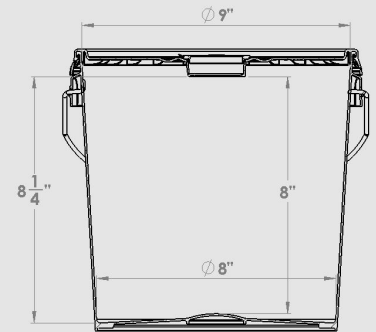
1.0g M2

Volume	1.15 gallons
Top Inside Diameter	Ø7 1/2"
Bottom Inside Diameter	Ø6 3/4"
Interior Height	6 1/8"



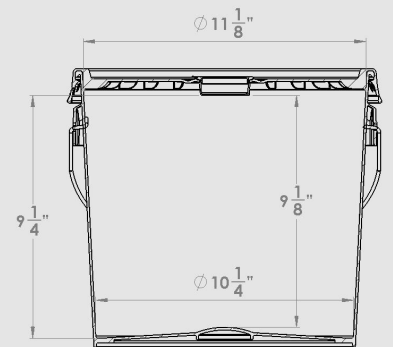
2.0g M2

Volume	2.28 gallons
Top Inside Diameter	Ø9"
Bottom Inside Diameter	Ø8"
Interior Height	8 1/4"



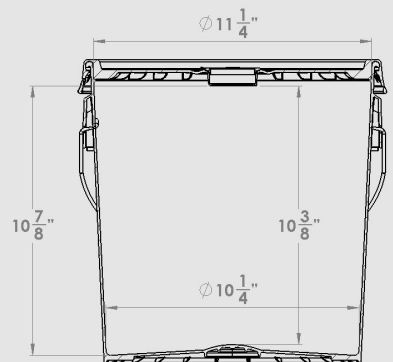
3.5g M2

Volume	4.04 gallons
Top Inside Diameter	Ø11 1/8"
Bottom Inside Diameter	Ø10 1/4"
Interior Height	9 1/4"



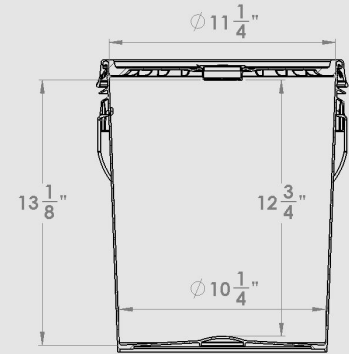
4.25g M2

Volume	4.59 gallons
Top Inside Diameter	Ø11 1/4"
Bottom Inside Diameter	Ø10 1/4"
Interior Height	10 7/8"



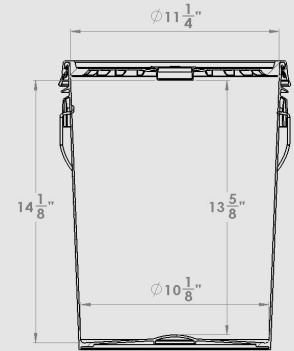
5.0g M2

Volume	5.22 gallons
Top Inside Diameter	Ø11 1/4"
Bottom Inside Diameter	Ø10 1/4"
Interior Height	13 1/8"



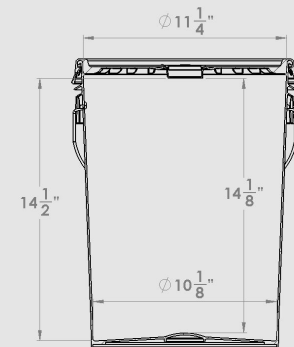
5.3g M2

Volume	5.39 gallons
Top Inside Diameter	Ø11 1/4"
Bottom Inside Diameter	Ø10 1/8"
Interior Height	14 1/8"



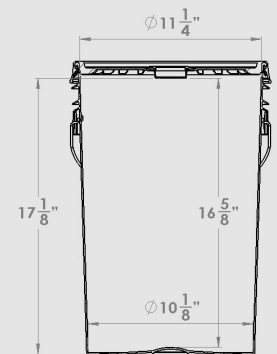
5.5g M2

Volume	6.00 gallons
Top Inside Diameter	Ø11 1/4"
Bottom Inside Diameter	Ø10 1/8"
Interior Height	14 1/2"



6.5g M2

Volume	7.12 gallons
Top Inside Diameter	Ø11 1/4"
Bottom Inside Diameter	Ø10 1/8"
Interior Height	17 1/8"



10qt Snaplite

Volume	2.58 gallons
Top Inside Diameter	Ø9 3/8"
Bottom Inside Diameter	Ø8 1/4"
Interior Height	8 7/8"

