

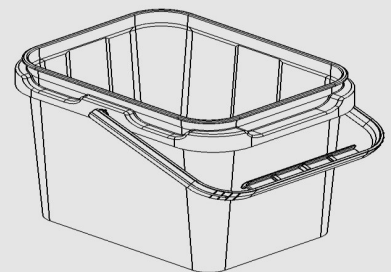
Cover Specification

Origin of Materials	100% US Manufactured
Material	Polypropylene
Weight	1/4 lbs. / 109 g
Height	1"
Min Wall Thickness	0.04"
Dimensions	7 1/2 x 9 3/8
Gasket	Dry Seal
Standard Color	White <i>Please inquire about custom colors</i>
Shipping Quantity	144 per case / 1,152 per pallet



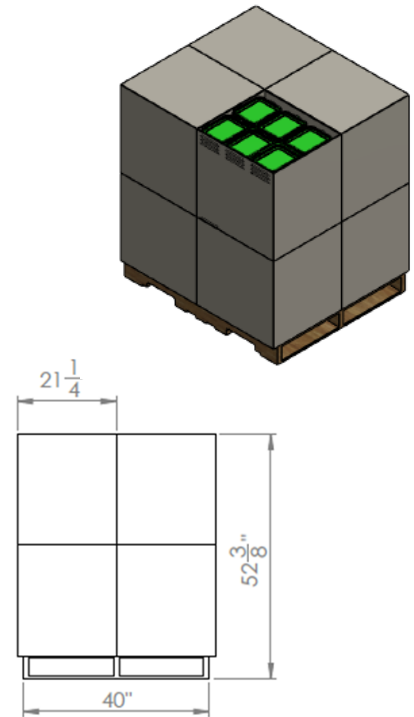
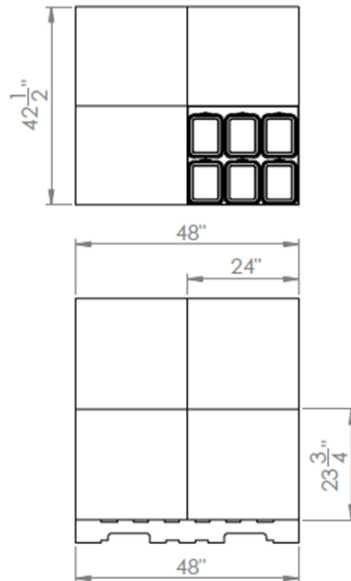
Pail Specification

Origin of Materials	100% US Manufactured
Material	Polypropylene (<i>Clarified Optional</i>)
Handles	Plastic
Weight (including handle)	1/2 lbs. / 255g
Exterior Height	6 3/8" With Cover 6 3/4"
Min. Wall Thickness	0.04"
Outside Diameter - Top	7 3/8" x 9 1/8"
Outside Diameter - Bottom	6 1/2" x 8 1/4"
Standard Color	White <i>Please inquire about custom colors</i>
Shipping Quantity	500 Units per Pallet 18,500 Units per Truckload
Print Area	4 1/4" x 28 1/2"
Top Load Rating	100 lbs.



Pack Specifications For Cover

- 1,152 Units per pallet
- 6 stacks x 24 high per box
- 4 boxes per layer x 2 layers high
- Lid material is PP
- 18,500 per truckload



Pack Specifications For Pail

- 500 Units
- 25 Stacks x 20 High
- Pail Material is PP
- 18,500 units per truckload

